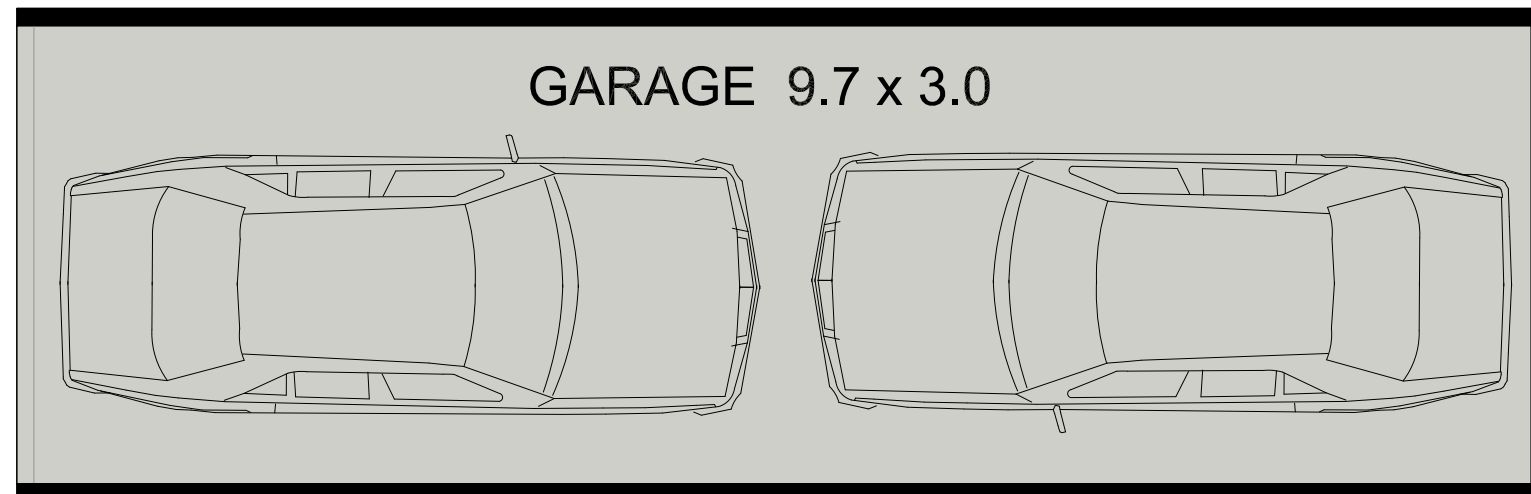
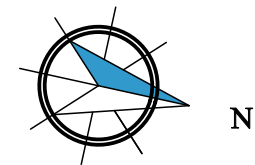


FLOOR PLAN



GARAGE PLAN



DISCLAIMER: Floor plans and site plans are intended as a guide only. Individuals should rely on their own enquiries for exact measurements and no warranties are intended or given.

FLOOR PLAN: 77 sq m

5/4 Waugh Street, Port Macquarie.

Laing + Simmons