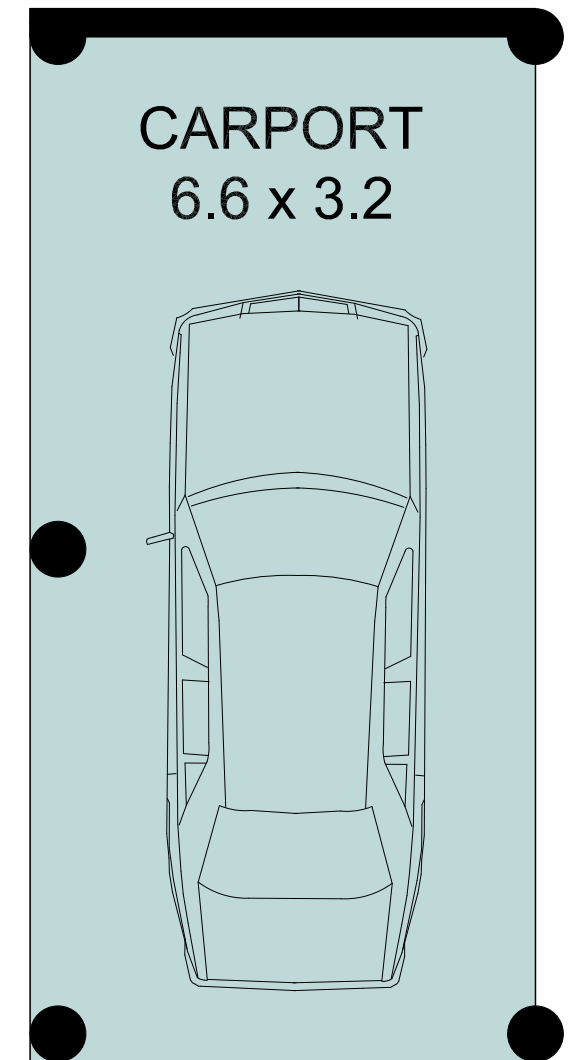




FLOOR PLAN



CARPORT UNDER UNIT

DISCLAIMER: Floor plans and site plans are intended as a guide only. Individuals should rely on their own enquiries for exact measurements and no warranties are intended or given.

FLOOR PLAN: 70 sq m

1/8 Windmill Street, Port Macquarie.

Laing + Simmons