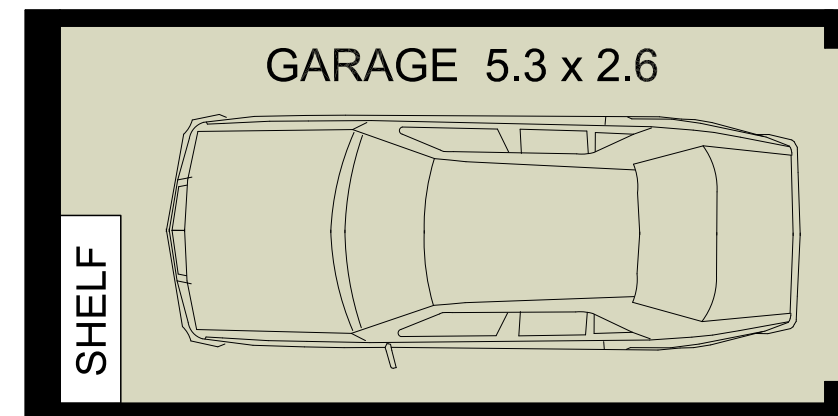


FLOOR PLAN



GARAGE PLAN

DISCLAIMER: Floor plans and site plans are intended as a guide only. Individuals should rely on their own enquiries for exact measurements and no warranties are intended or given.

FLOOR PLAN: 78 sq m

12/47 Pacific Drive, Port Macquarie.

Laing+ Simmons